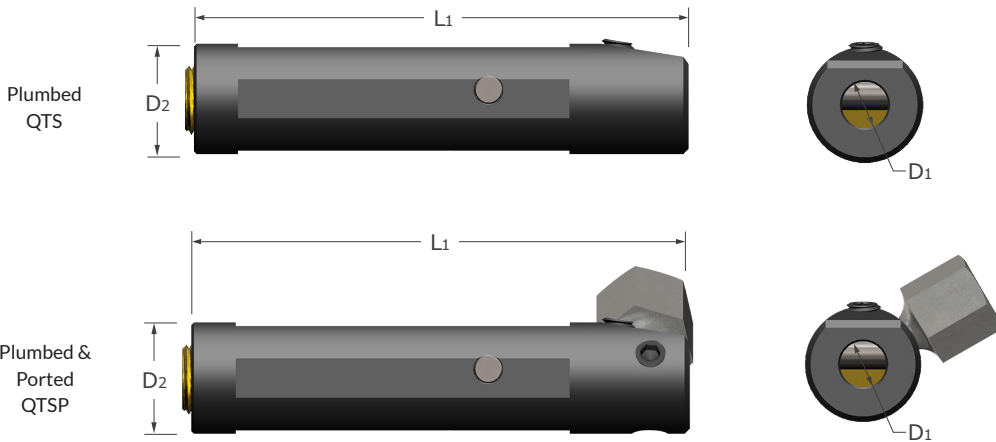


Quick Change – Holders & Parts

QTS / QTSP

Tool Holders – Straight Holder – Standard Length

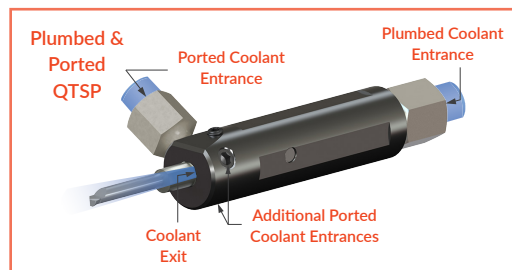
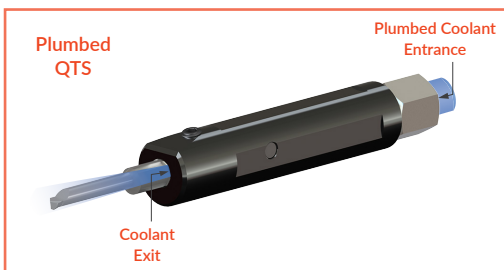
Quick Change – Holemaking Tools



- Headless tool holder engineered for maximum versatility in any Swiss, standard lathe, or multi-function lathe
- Standard plumbed and 3 ported options for more enhanced coolant accessibility
- Proprietary Micro-Quik™ quick change system maximizes productivity through reliable accuracy and locational repeatability
- Headless design allows for installation through the back of the tooling block in machines where work envelope is limited
- Top screw orientation for easy access to set screw without interference of adjacent tools
- 4 alignment flats allow for multiple tool engagements and holder orientations
- Holder plumbed for NPT coolant connection
- Heat treated and black oxide coated for durability and corrosion resistance
- Precision manufactured in the USA

Internal Diameter	Shank Diameter	Coolant Access Type	Plumbed Thread	Overall Length	Locating Locking Screw	Tool Holder	
D1 +.0005" -.0000"	D2 -.0003" -.0008" -.008mm -.020mm			L1		Tool #	Price
.1875	12 mm	Plumbed	1/8-27	2.8	40215	QTS-187-472	120.00 NEW
.1875	.5000	Plumbed	1/8-27	2.8	40215	QTS-187-500	120.00 NEW
.1875	.6250	Plumbed	1/8-27	2.8	40215	QTS-187-625	130.00 NEW
.1875	16 mm	Plumbed	1/8-27	2.8	40215	QTS-187-630	130.00 NEW
.1875	.7500	Plumbed & Ported	1/8-27	2.8	40216	QTSP-187-750	175.00 NEW
.1875	20 mm	Plumbed & Ported	1/8-27	2.8	40216	QTSP-187-787	175.00 NEW
.1875	22 mm	Plumbed & Ported	1/8-27	2.8	40216	QTSP-187-866	175.00 NEW
.1875	25 mm	Plumbed & Ported	1/8-27	2.8	40208	QTSP-187-984	175.00 NEW
.1875	1.0000	Plumbed & Ported	1/8-27	2.8	40208	QTSP-187-1000	175.00 NEW

Continued on next page



QTS / QTSP

Quick Change – Holders & Parts

Tool Holders – Straight Holder – Standard Length (cont.)

Continued from previous page

	Internal Diameter	Shank Diameter	Coolant Access Type	Plumbed Thread	Overall Length	Locating Locking Screw	Tool Holder	
	D ₁ $\begin{matrix} +.0005" \\ -.0000" \end{matrix}$	D ₂ $\begin{matrix} -.0003" \\ -.0008" \\ -.008mm \\ -.020mm \end{matrix}$			L ₁		Tool #	Price
NEW	.2500	12 mm	Plumbed	1/8-27	2.8	40215	QTS-250-472	120.00
NEW	.2500	.5000	Plumbed	1/8-27	2.8	40215	QTS-250-500	120.00
NEW	.2500	.6250	Plumbed	1/8-27	2.8	40215	QTS-250-625	130.00
NEW	.2500	16 mm	Plumbed	1/8-27	2.8	40215	QTS-250-630	130.00
NEW	.2500	.7500	Plumbed & Ported	1/8-27	2.8	40216	QTSP-250-750	175.00
NEW	.2500	20 mm	Plumbed & Ported	1/8-27	2.8	40216	QTSP-250-787	175.00
NEW	.2500	22 mm	Plumbed & Ported	1/8-27	2.8	40216	QTSP-250-866	175.00
NEW	.2500	25 mm	Plumbed & Ported	1/8-27	2.8	40216	QTSP-250-984	175.00
NEW	.2500	1.0000	Plumbed & Ported	1/8-27	2.8	40208	QTSP-250-1000	175.00
NEW	.3125	.6250	Plumbed	1/4-18	2.8	40215	QTS-312-625	130.00
NEW	.3125	16 mm	Plumbed	1/8-27	2.8	40215	QTS-312-630	130.00
NEW	.3125	.7500	Plumbed	1/4-18	2.8	40215	QTS-312-750	140.00
NEW	.3125	20 mm	Plumbed	1/4-18	2.8	40215	QTS-312-787	140.00
NEW	.3125	22 mm	Plumbed & Ported	1/4-18	2.8	40216	QTSP-312-866	175.00
NEW	.3125	25 mm	Plumbed & Ported	1/4-18	2.8	40216	QTSP-312-984	175.00
NEW	.3125	1.0000	Plumbed & Ported	1/4-18	2.8	40216	QTSP-312-1000	175.00
NEW	.3750	.6250	Plumbed	1/4-18	2.8	40215	QTS-375-625	130.00
NEW	.3750	.7500	Plumbed	1/4-18	2.8	40215	QTS-375-750	140.00
NEW	.3750	20 mm	Plumbed	1/4-18	2.8	40215	QTS-375-787	140.00
NEW	.3750	22 mm	Plumbed & Ported	1/4-18	2.8	40215	QTSP-375-866	175.00
NEW	.3750	25 mm	Plumbed & Ported	1/4-18	2.8	40216	QTSP-375-984	175.00
NEW	.3750	1.0000	Plumbed & Ported	1/4-18	2.8	40216	QTSP-375-1000	175.00
NEW	.5000	.7500	Plumbed	3/8-18	2.8	40215	QTS-500-750	140.00
NEW	.5000	1.0000	Plumbed & Ported	3/8-18	2.8	40216	QTSP-500-1000	160.00