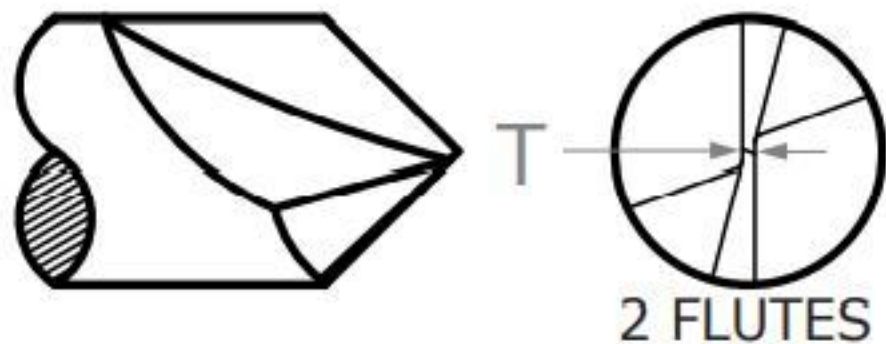


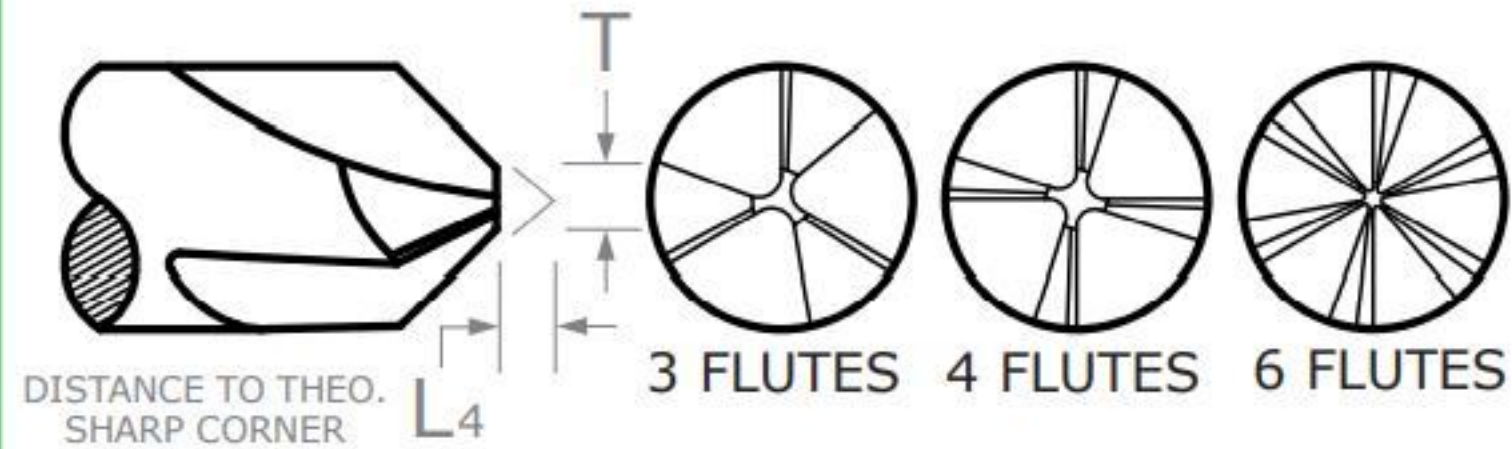
### TYPE I - POINTED

Flat relief ground to center, yielding a web thickness at tip (T)



### TYPE II - FLAT END

Flat relief ground to a *non-end cutting* flat tip (T)



### TYPE III - END CUTTING

Flat relief ground to an end cutting tip diameter (T), two flutes to center

